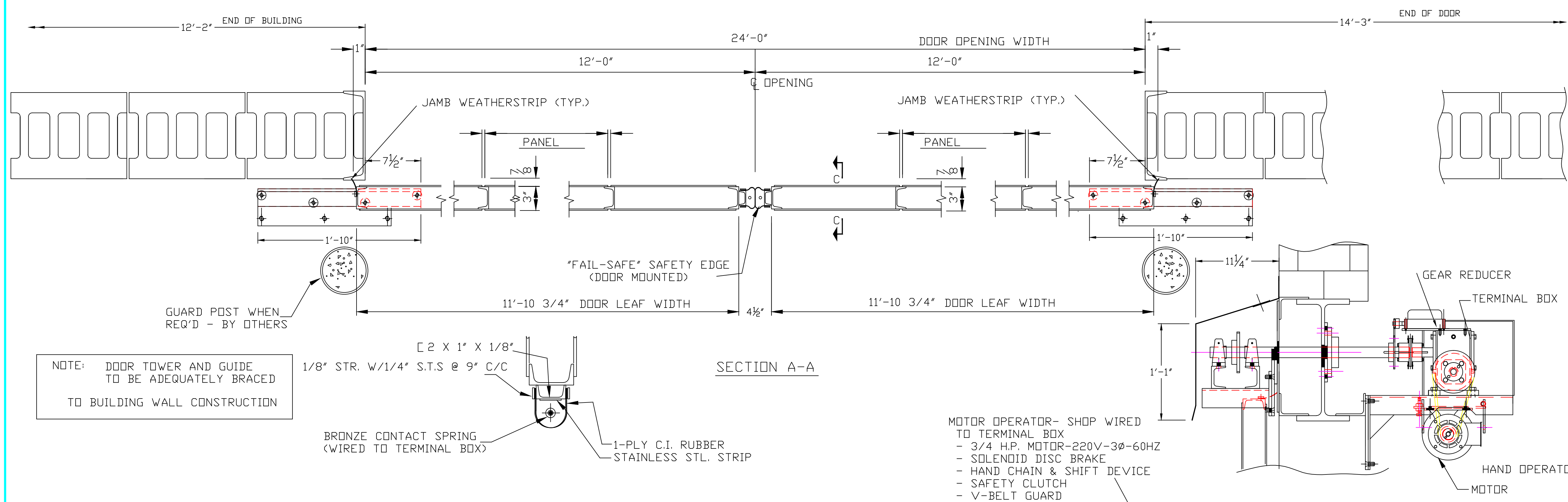
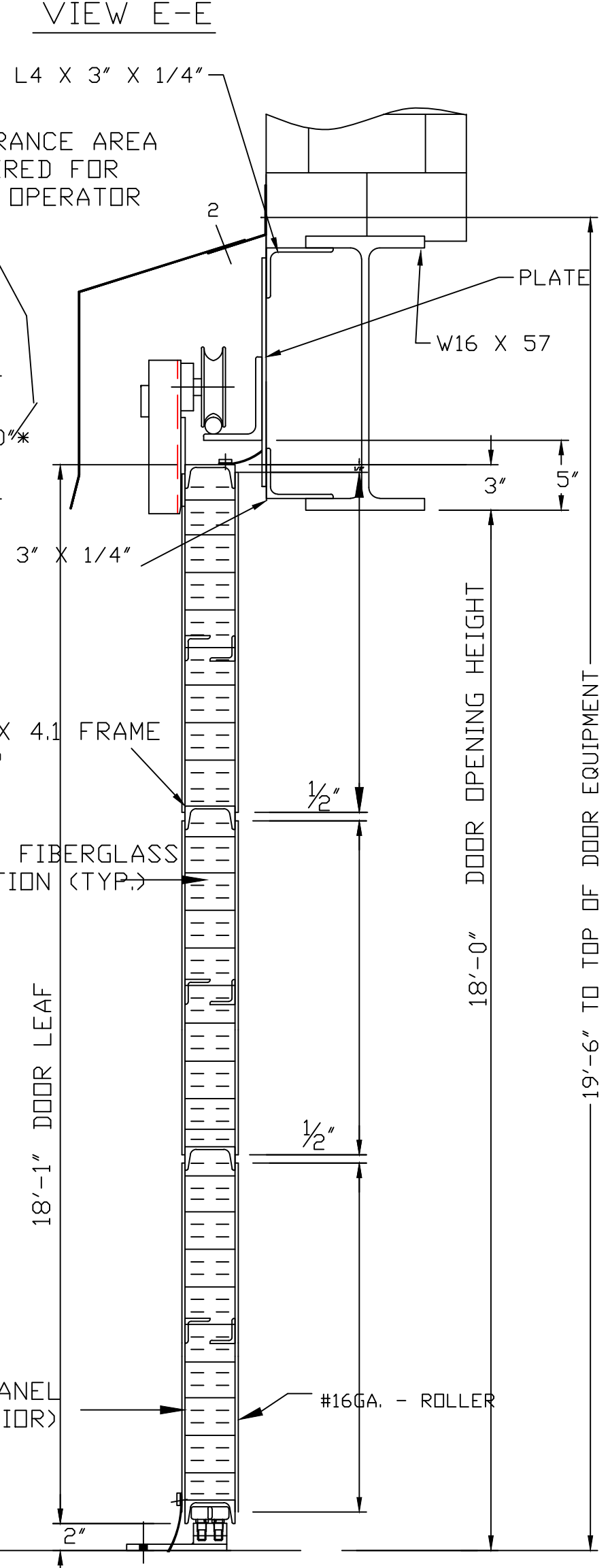
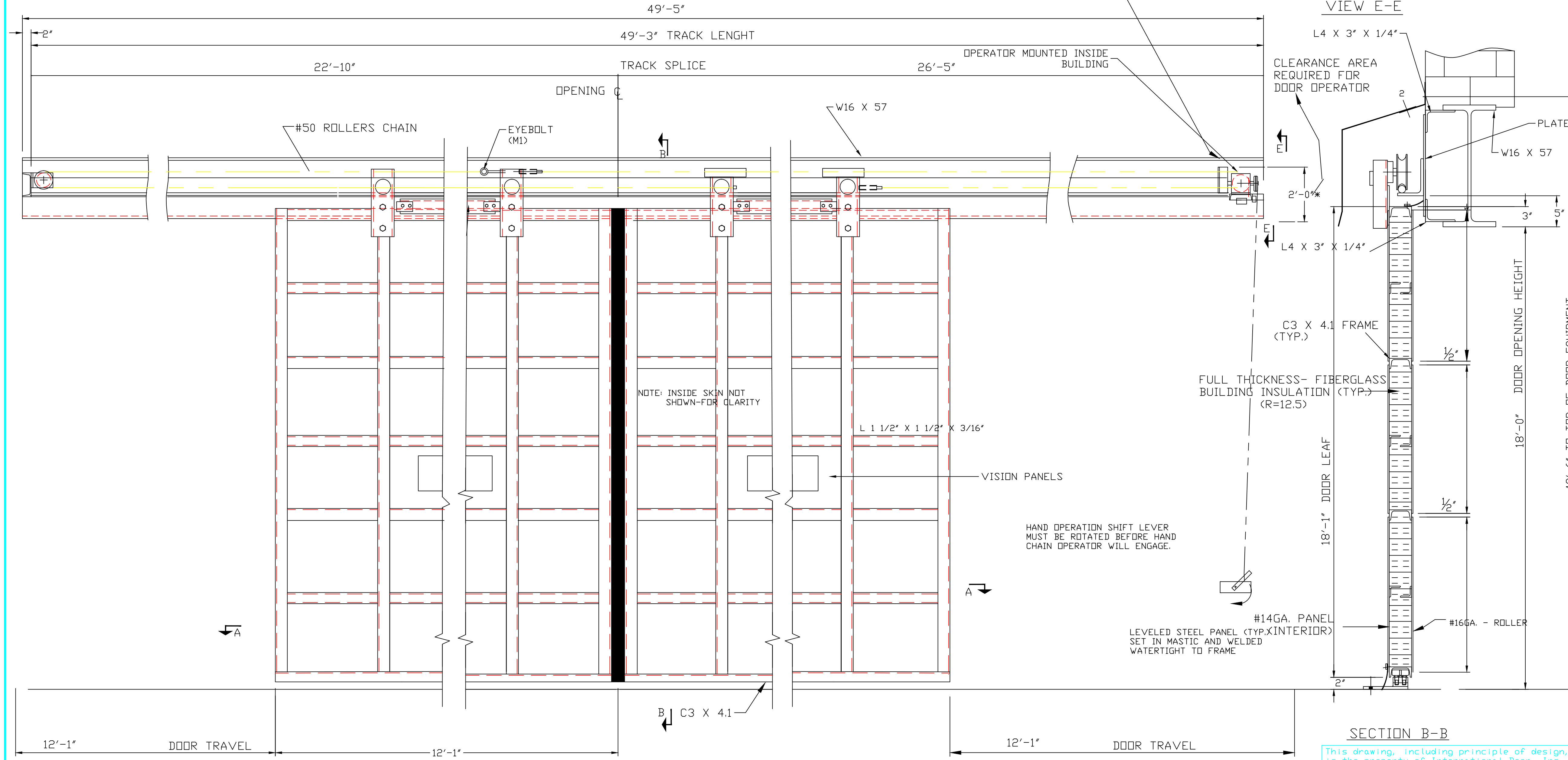
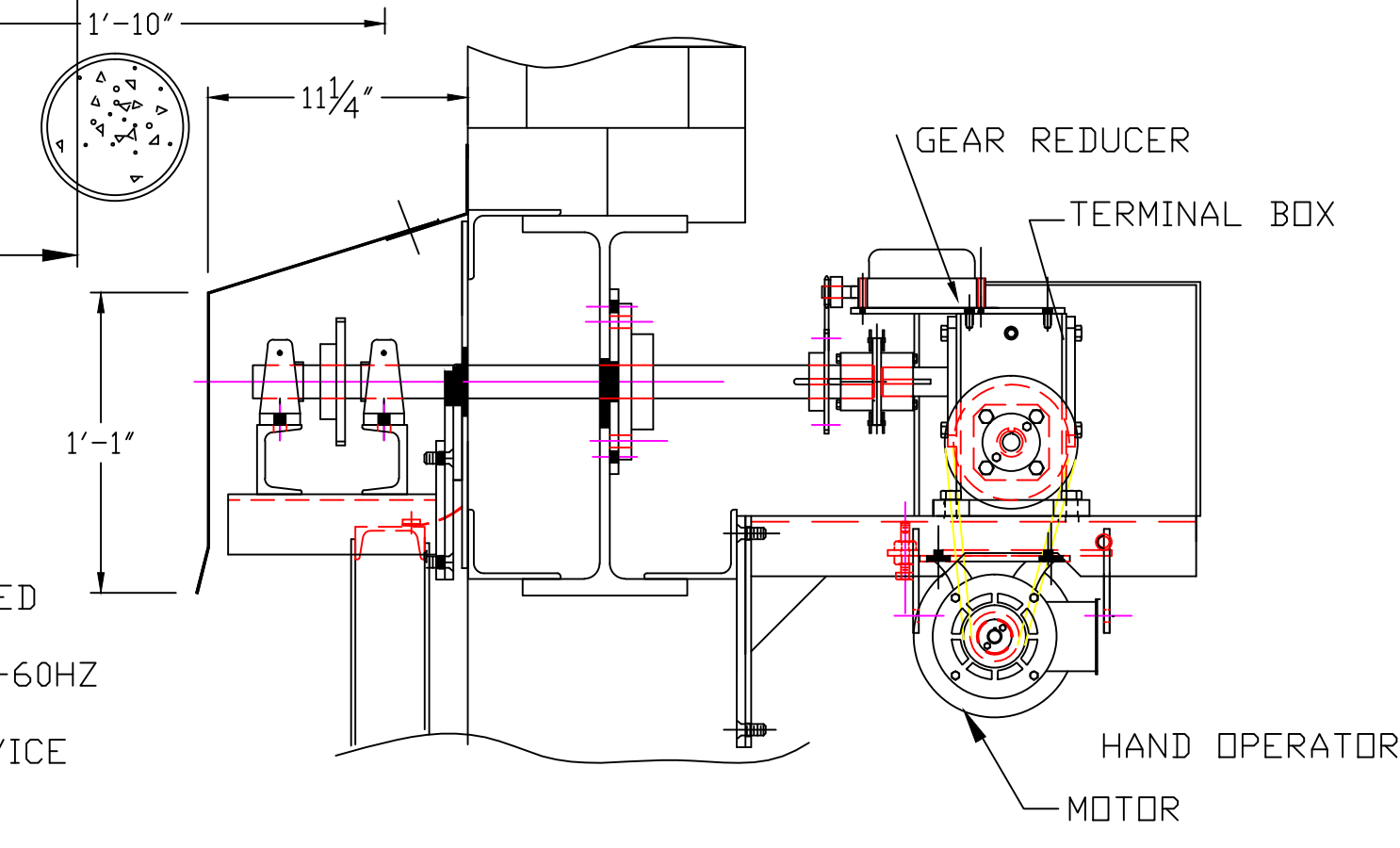


BILL OF MATERIAL

ITEM	UNIT	MARK	DESCRIPTION	REMARKS
TOTAL QTY.				

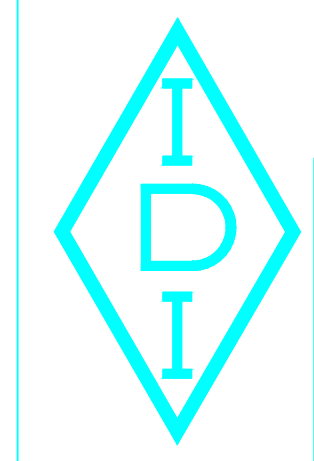


- MOTOR OPERATOR- SHOP WIRED TO TERMINAL BOX
- 3/4 H.P. MOTOR-220V-3Ø-60HZ
 - SOLENOID DISC BRAKE
 - HAND CHAIN & SHIFT DEVICE
 - SAFETY CLUTCH
 - V-BELT GUARD



SHOP PAINT : ONE COAT GRAY METALLIC PRIMER

REV	DATE	BY	DESCRIPTION	RET.
			TO FIELD	
			TO SHOP	
			SENT FOR APPROVAL	



INTERNATIONAL DOOR, INC.
(734) 469-3000
8001 Ronda Dr. Canton, Michigan 48187
PROJECT: IDEAL FABRICATION
30579 SEVEN MILE ROAD
LIVONIA, MI. 48152

DRAWING TITLE: GENERAL ARRANGEMENT FOR BI-PARTING SLIDING DOOR - DOUBLE SKIN -INSULATED WITH ELECTRIC OPERATOR
DOOR NUMBER: 100^L OPENING SIZE: 24'-0" X 18'-0"

ARCH.			
CONTR.			
DRAWN: RB	DATE	JOB NO.	
CHECKED: DS	CUSTOMER NO.	SHEET	OF
APPROVED: DS			

This drawing, including principle of design, is the property of International Door, Inc. It must not be reproduced in any manner nor submitted to outside parties for examination without our consent. It shall be used only as a means of reference to work designed or furnished by us, unless expressly authorized and consented to in writing by International Door, Incorporated, Canton, Michigan.

DO NOT SCALE DRAWING

EXTERIOR ELEVATION
HORIZONTAL SLIDE DOOR
() REQ'D AS (SHOWN)
() REQ'D (OPP.HAND)